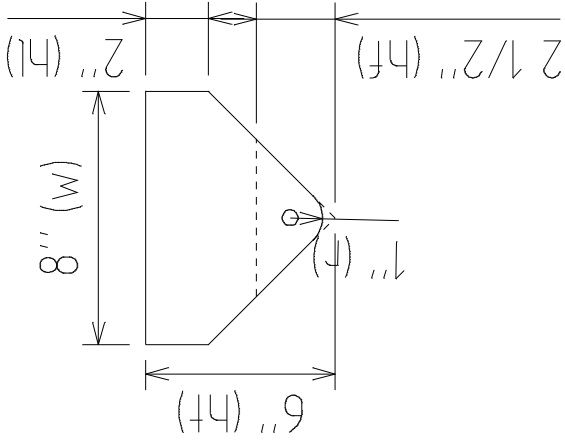
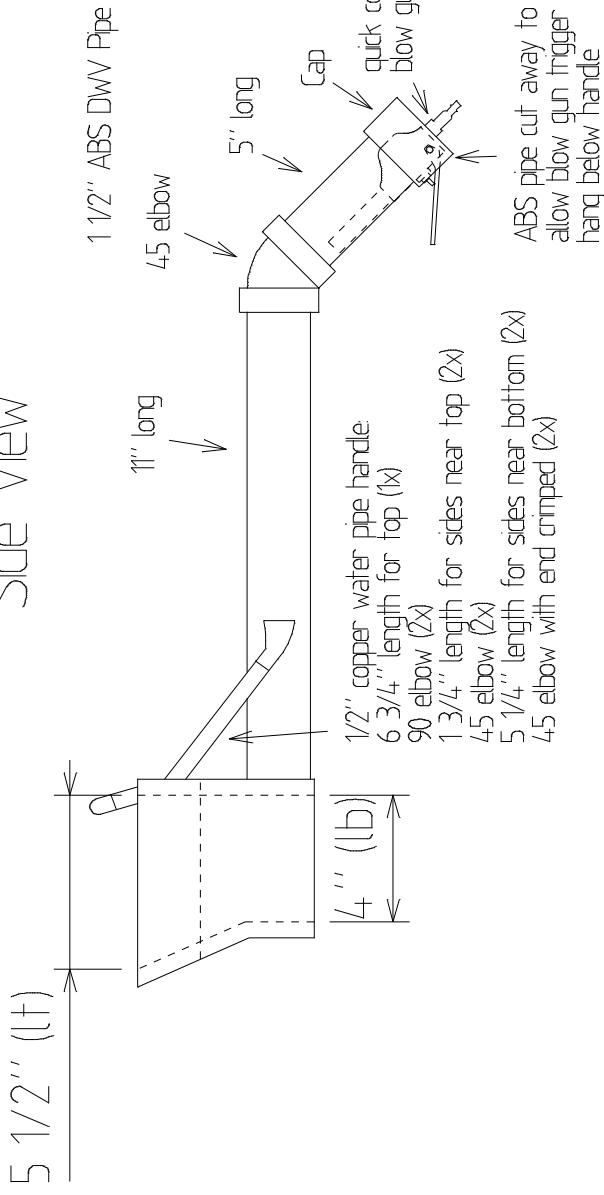


Stucco Sprayer Overview

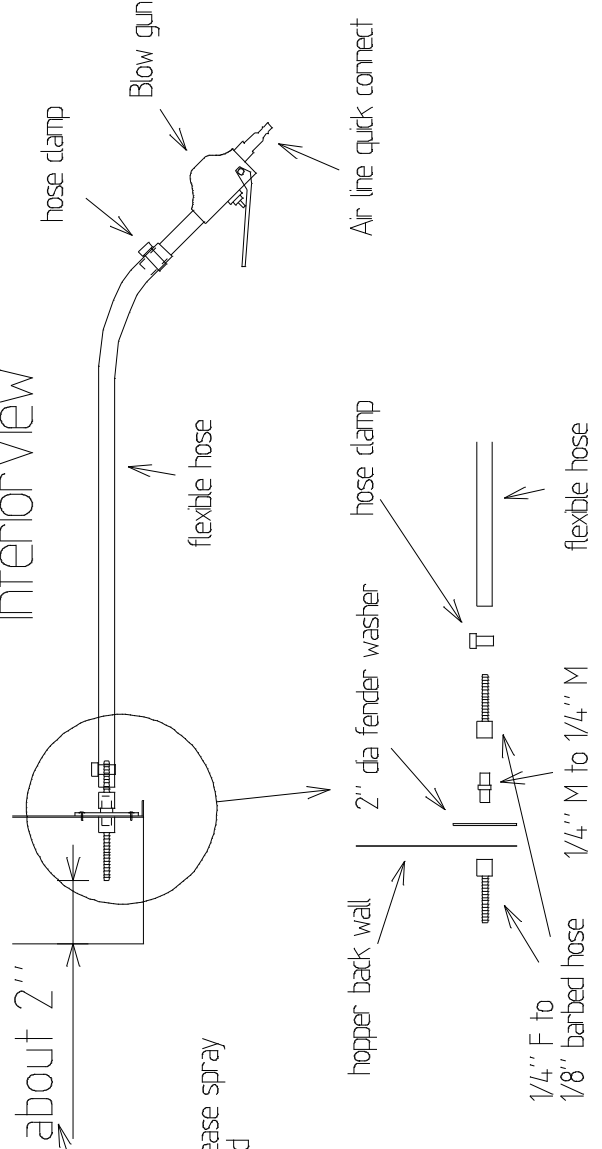
Front View



Side View



Interior View



Distance to front face of hopper:
 - this affects performance
 - too short or too long will decrease spray
 - to shorten, saw off barbed end
 - to lengthen, add 1/4" fittings