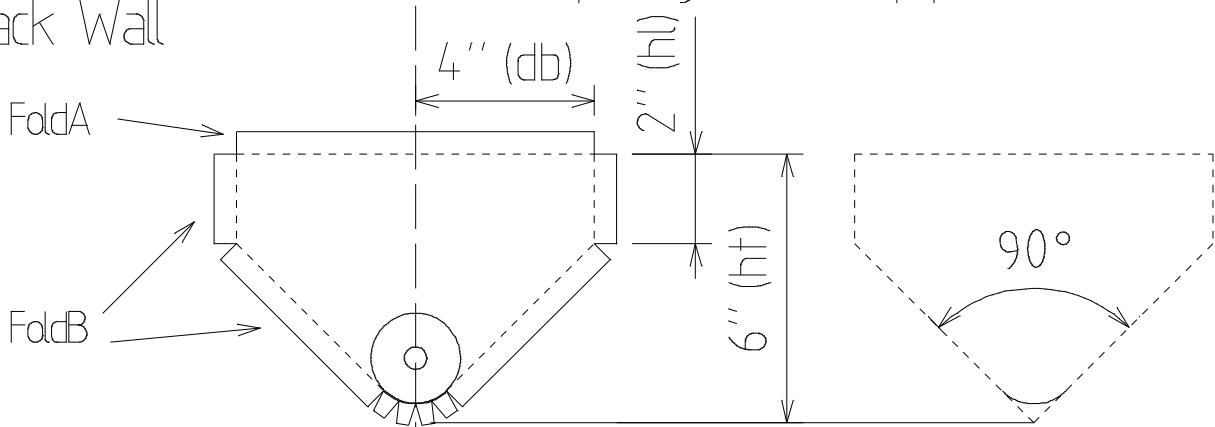
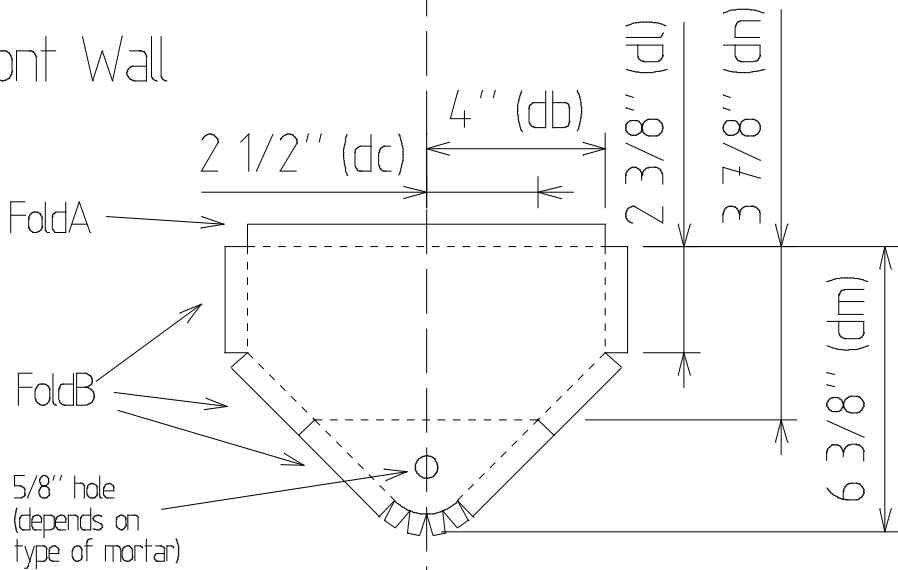


# Stucco Sprayer Hopper Plans

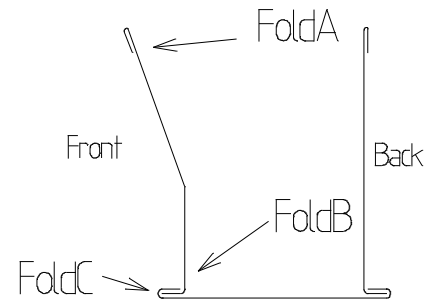
Back Wall



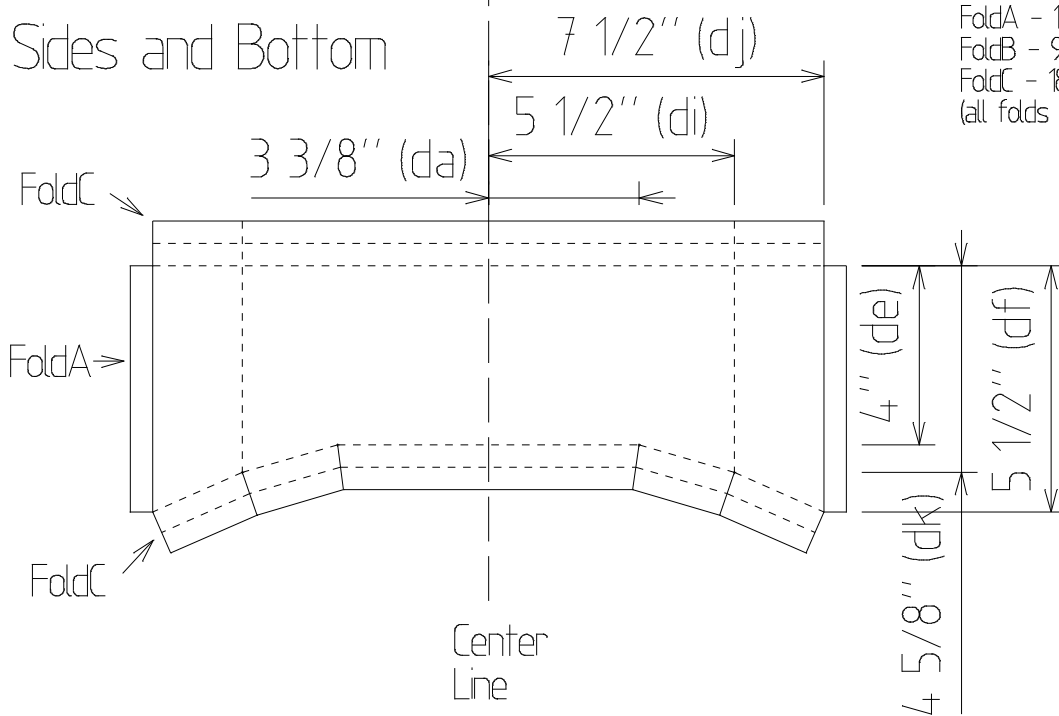
Front Wall



Folds



Sides and Bottom



FoldA - 180 degrees to make non-sharp edge  
 FoldB - 90 degrees to make connection  
 FoldC - 180 degrees to make connection  
 (all folds are 1/2")