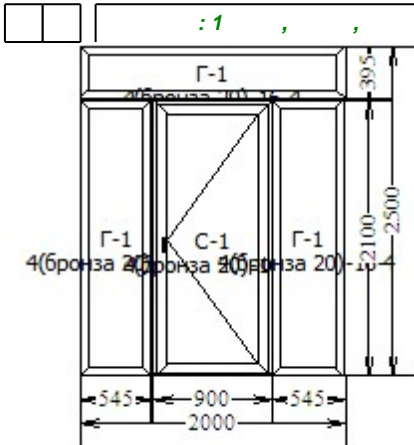


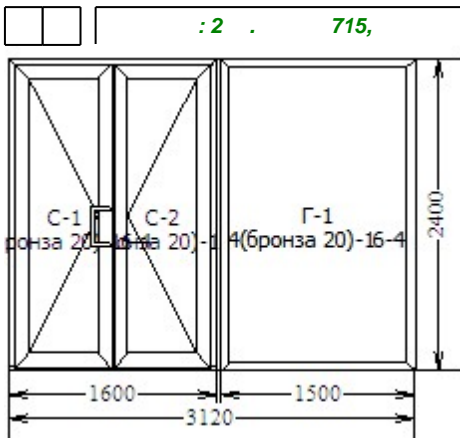
(): 0



5

		KBE Classic () Roto Compact			
	4(20)-16-4	1	5.00	5610.93	5610.93

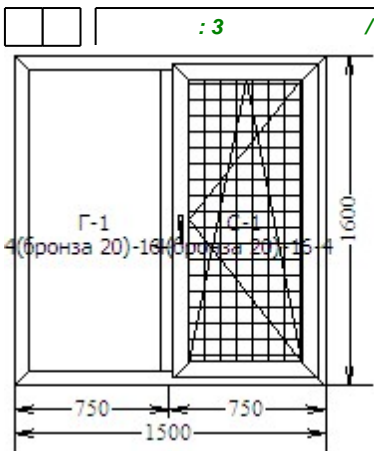
150 / 2000 . 1 .
150 / 2100 . 2 .



5

		KBE Classic () Roto Compact			
	4(20)-16-4	1	7.49	13611.52	13611.52

208 (152) 2380 . 1 .
152 / 152 (208) 2400 . 1 .
2300 . 30 300 , .RAL9016 1 .
2300 . 30 300 , .RAL8017 1 .
855GL PZ16/45/92/8 1 . -
RFF48307LX 1 .
803 855 D=45 1 .
35/45 1 .
RRV48311X 2 .

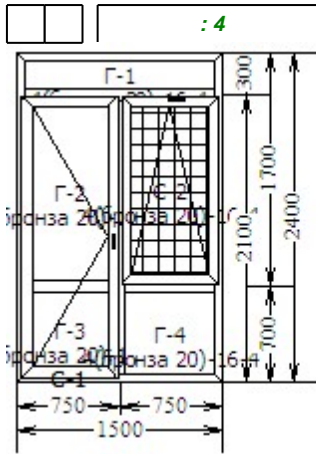


5

		KBE Classic () Roto Compact			
	4(20)-16-4	2	2.40	2695.12	5390.24

1474 * 646 2 .

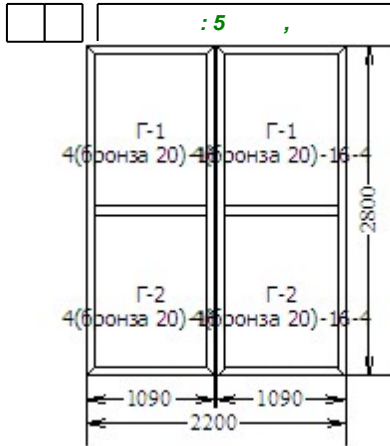
150 /		2	1	1	1500	83.57	10%
300 /		2	1	1	1550	217.52	10%
600 /	600	2	1	1	1	10.05	10%



5

/ KBE Classic () Roto Compact					
	4(20)-16-4	4	3.60	4439.30	17757.20

1318 * 646 4 .

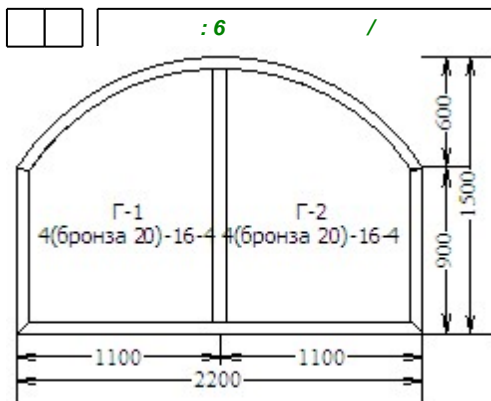


5

/ KBE Classic () Roto Compact					
	4(20)-16-4	2	6.16	5499.30	10998.60

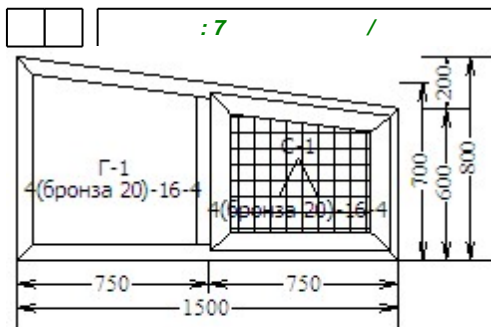
208 (152) 2780 . 2 .

152 / - 152 (208) 2800 . 2 .



5

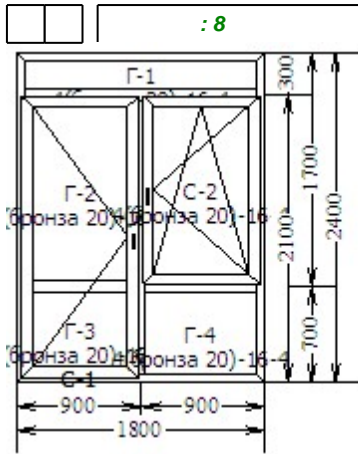
/ KBE Classic () Roto Compact					
	4(20)-16-4	1	2.91	3803.26	3803.26



5

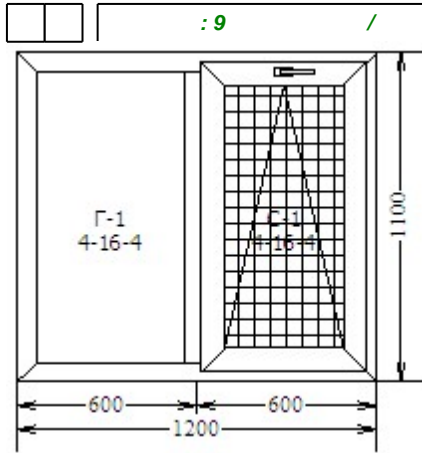
/ KBE Classic () Roto Compact					
	4(20)-16-4	2	1.05	2085.90	4171.80

572 * 646 2 .



5

		KBE Classic () Roto Compact			
	4(20)-16-4	14	4.32	5024.06	70336.84



5

		KBE Classic () Roto Compact			
	4-16-4	6	1.32	1493.52	8961.12

:" " 974 * 496 6 .

	17
	0
	0
	0
	0
	0

: 33 .
: 117.42 . .
: 118 160.00