

CIVILIGHT®



LED 360° SENSOR STAR

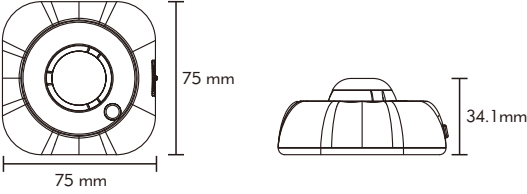


Features:

- Infrared sensor inside
- Rotatable up to 360 degree
- Lighting anywhere and anytime if you need
- Battery operated
- Keyholes for easy installation



Technical specification

Part No.	0300
Watt (W)	0.2
Lumens (lm)	40
CCT (K)	3000
Voltage (V)	4.5V (3AAA batteries operated)
Current (mA)	60
Beam Angle (°)	360
Working Temperature (°C)	-20 ~ 40
Storage Temperature (°C)	-20 ~ 85
Weight (g)	99
Mechanical Drawing	
Photometric Diagrams	

Note: Data is subject to change without prior notice. Please visit www.civilight.com for further information.

Cautions:

- Require 3AAA cells. Observe polarity markings (+),(-).
- Batteries may leak harmful liquids or ignitable materials or explode causing product damage.
- Do not mix old and new or other battery types.
- Replace all batteries at the same time.
- Replace exhausted batteries immediately.
- Remove batteries if product is to be unused for extended periods of time.

Application:

Closet, Pantry, Work Bench, Cabinet, Bedroom,
Basement, Kitchen



CIVILIGHT SHENZHEN SEMICONDUCTOR LIGHTING CO., LTD

Address: Building A, HongFa Hi-Tech Park, Shi Yan Town, Bao'an District, Shenzhen, China
TEL: +86-755 3395 3199 / FAX: +86-755 33686628 / WEB: www.civilight.com