



LFP 5-10KWH / LV

51.2V 100/200Ah

LiFePO4 BATTERY



High inverter compatibility



Natural cooling system



>15 Years life span



Reliable LFP cells



Scalable up to 160kWh 16 (Parallel)



Cells cycle times 6000 cycles



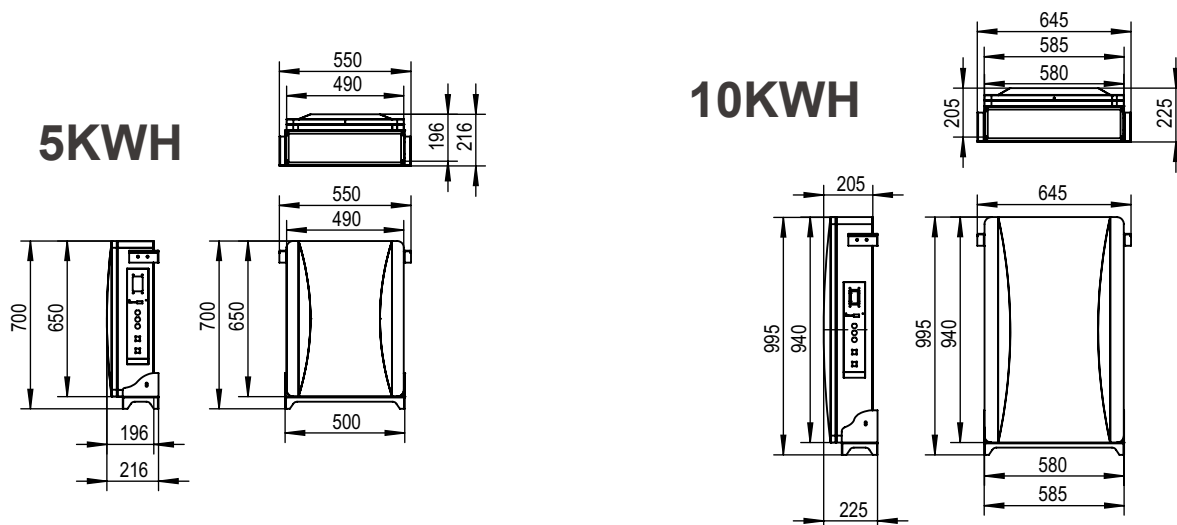
CANbus standard connection



IP65 Rating Triple hardware protection



Smart BMS system to optimize the performance



Electrical Characteristics

Module Type	LFP 5kWh/LV	LFP 10kWh/LV
Nominal Capacitance	100Ah	200Ah
Total Energy*	5.12kWh	10.24kWh
Usable Energy(DC)*	4.6kWh	9.2kWh
Nominal Dis-/ Charge Current	50A / 50A	100A / 100A
Voltage Range	43.2~58.4Vd.c	43.2~58.4Vd.c
Nominal Voltage	51.2Vd.c	51.2Vd.c
Max. Charge Voltage	58.4Vd.c	58.4Vd.c
Weight	58kg	109kg
Dimension(mm)	490(550)*650(700)*196(216)mm	585(645)*940(995)*205(225)mm
Safety	CE,UN38.3,IEC62619,IEC63056	CE,UN38.3,IEC62619,IEC63056

Max.recommended DOD	90%
Operating Condition	Indoor or outdoor
Operating Charge	From 0~45 C
Temperature Discharge	From -10~50 C
Humidity	4~100% (non-condensing)
Pollution Degree	3
Over Voltage Category	II
Cooling Type	Natural cooling
Case Material	Metal+Plastic
IP rating	IP 65
Protective Class	I
Max. Number in Parallel	16
Warranty	10 years
Life Span	>15 years
Communication	CAN/RS485
Protection Mode	Triple hardware protection
Battery Protection	Over-current/Over-voltage/Short circuit/ Under-voltage
Hazardous Material Classification	9

Compatible Inverters

